

JB-FI 4-CHANNEL LOAD CELL SUMMING JUNCTION BOX



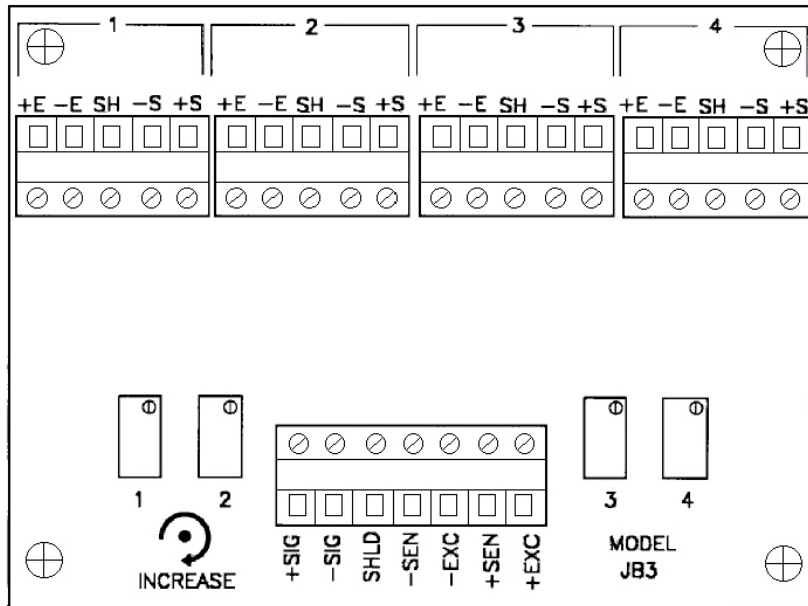
JB-FI shown with cover
(stainless steel version also available)

Our JB-FI is a load cell summing card housed in an ABS enclosure. It has four 5-position terminal strips for load cell input and one 7-position terminal strip with internally jumped sense terminals for output to the instrument. The board will sum 2 to 4 load cells and can be daisy-chained to sum up to 8 load cells using 2 summing cards and enclosures. Trimming of signal output is accomplished with four multi-turn trim pots. A stainless steel enclosure version (JB-SS) is also available. Summing card (JB-PCB) can be purchased separately and measures 100 mm x 75 mm.

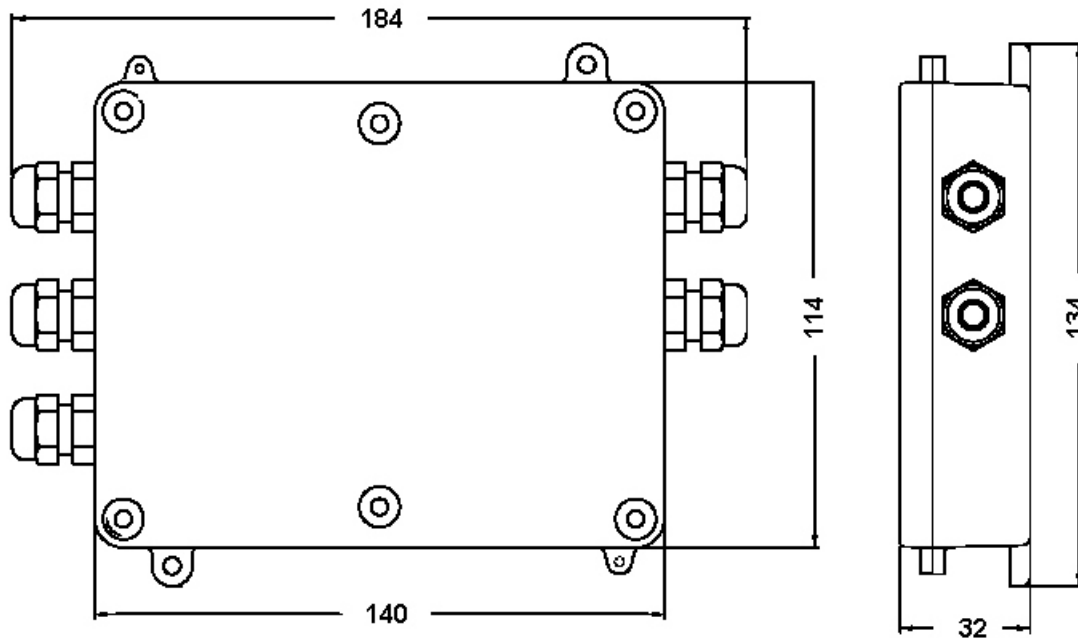
Accessories

JB-FI

SUMMING JUNCTION BOX



JB-PCB Summing card board layout



JB-FI Summing Box dimensional diagram - all dimensions in mm

YOUR AUTHORIZED TRANSCELL DEALER IS:

*Specifications and features subject to change without notice.
3-7-05*



TRANSCELL TECHNOLOGY, INC.

975 Deerfield Pkwy, Buffalo Grove, IL 60089
Tel (847) 419-9180 Fax (847) 419-1515

(800) 503-9180

www.transcell.net