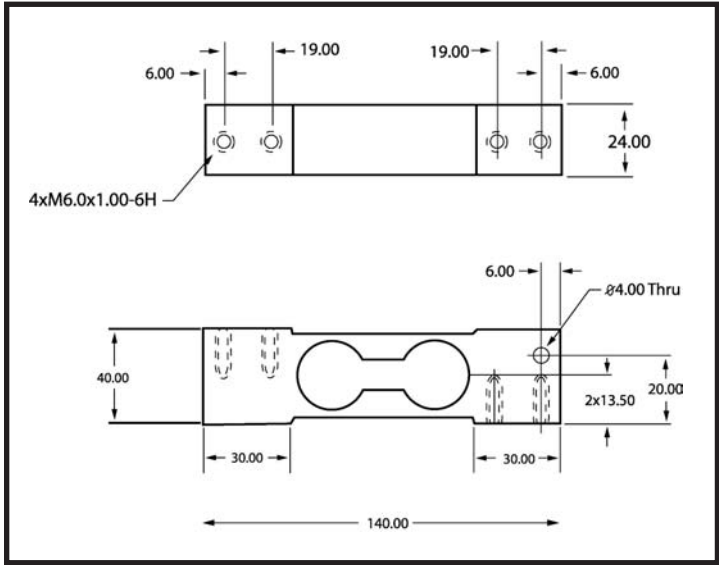




**FAD Single Point, Aluminum**



CAPACITY MODEL	
5kg	FAD-5kg
10kg	FAD-10kg
20kg	FAD-20kg
30kg	FAD-30kg
45kg	FAD-45kg
60kg	FAD-60kg
75kg	FAD-75kg
100kg	FAD-100kg

DESCRIPTION	PRICE LIST
Single Point Aluminum Load Cells • 100, 75, 60, 45, 30, 20, 10, 5 kg capacities .....	\$135.00

**SPECIFICATIONS:**

- Full Scale Output: 2.0 mV/V ± 10%
- Creep after 20 minutes: 0.02% of FS output
- Total Error: 0.02% of FS output
- Safe Overload: 1.5 x rated capacity
- Insulation Resistance: >5000 MΩ
- Temp. Compensated: 32°F to 104°F (0°C to +40°C)
- Input Impedance: 400Ω ± 30Ω
- Output Impedance: 350Ω ± 3Ω
- Rated Excitation: 10V DC/AC
- Maximum Excitation: 20V DC/AC
- Cable Length: 1 feet

**SCHEMATIC:**

