

# MP-20

Thermal Tape & Label Printer



Good things come  
in small packages.



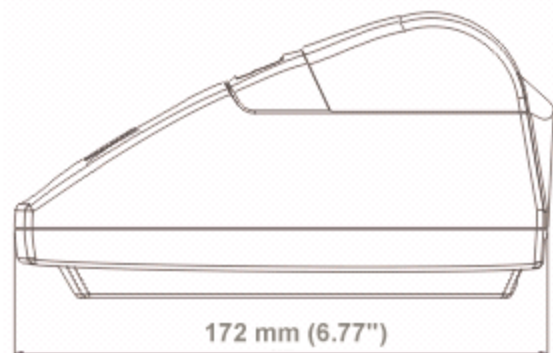
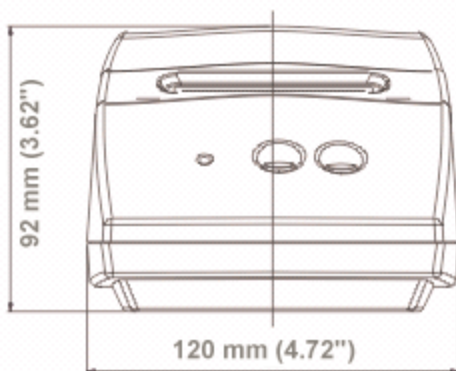
TRANSCELL TECHNOLOGY, INC.

MINI PRINTER

# MP-20

## SPECIFICATIONS

<b>Printing Method</b>	Thermal dot line printing
<b>Printing Width</b>	48 mm
<b>Number of dots/line</b>	384
<b>Dots Density</b>	8 dots/mm
<b>Printing Speed</b>	20 mm/sec
<b>Feeding Speed</b>	24 mm/sec
<b>Standard Paper Roll Size</b>	57mm (2.24") x 36m (118') (Thermal)
<b>Interface</b>	Serial Interface (RS-232, Baud Rate 9600)
<b>Power</b>	DC9V / 2.8A
<b>Current Consumption</b>	Printing: 800mA Feeding: 300mA Stand By: 80mA
<b>Weight</b>	Approx. 360g (Paper roll excluded)
<b>Dimension</b>	120(W) x 170(D) x 90(H) mm
<b>Operation Temperature</b>	0 ~ 50 C°
<b>Storage Temperature</b>	-25 ~ 65 C°
<b>Fonts Available</b>	Arial 14 Arial 20 Arial Narrow 14 Arial Narrow 20 Lucida 16 Courier 20
<b>Default Font</b>	Chiblack 24
<b>Bar Code</b>	Code 39
<b>Max Printable Label Size</b>	50(W) x 100(L) mm
<b>Error Conditions Detected</b>	Paper out, Head up, Overheat



**YOUR AUTHORIZED TRANSCELL DEALER IS:**

*Specifications and features subject to change without notice.*



**TRANSCELL TECHNOLOGY, INC.**

975 Deerfield Pkwy, Buffalo Grove, IL 60089  
Tel (847) 419-9180 Fax (847) 419-1515

**(800) 503-9180**

[www.transcell.net](http://www.transcell.net)