

# CR-500

DUAL RANGE CRANE SCALE

0 - 2000 lbs x 1 lb    2002 - 5000 lbs x 2 lb



Infrared remote control included standard

The CR-500 is a dual range scale providing higher resolution at lower weights - 0 lb - 2000 lbs x 1 lb and 2002 lb - 5000 lbs x 2 lb. With features and reliability you expect from the weighing industry's leading manufacturer of electronic scales, the CR-500 offers many features including, tare, peak hold, auto sleep, and LB/KG switching. The CR-500 comes standard with two rechargeable batteries, an external charger and an IR remote control allowing the operator to control scale functions up to 30' away. The unit is housed in a heavy duty steel enclosure to survive rugged industrial use. For maximum operator accuracy, the bright 6 digit LED display for display allows easy viewing up to 50' away.



# CR-500

## CRANE SCALE

### STANDARD FEATURES & BENEFITS

- ▷ Lb/Kg Conversion
- ▷ Remote Infrared Control allows operator to Zero, Tare, Hold weight value, NET/GROSS and turn scale off
- ▷ External battery charger with additional 12V lead acid battery
- ▷ Outer case is constructed using heavy duty formed steel
- ▷ Specially designed load cell has built in fail safe auto catching design for maximum safety



### Specifications:

**Load Cell Excitation:** +10 VDC, 1 x 350Ω load cell

**Full Scale Input Range:** 30 mV, including dead load

**Analog Sensitivity:** 0.4 μ V/grad

**A/D Conversion Rate:** Up to 10 meas/sec nominal

**CE Electromagnetic Compatibility:** Directive No. 89/336/EEC, EN50082-1, EN61000-4, EN55011

**Display Resolution:** 5000 display divisions max

**Display:** .75", 7 segment, 6-Digit Green LED

**Keyboard:** 4-key multi function flat membrane panel

**Annunciators:** Zero, Tare, Gross, Net, lb, kg, Stable, Hold

**Power (Standard):** Rechargeable battery - 12V 1200 mA Lead Acid

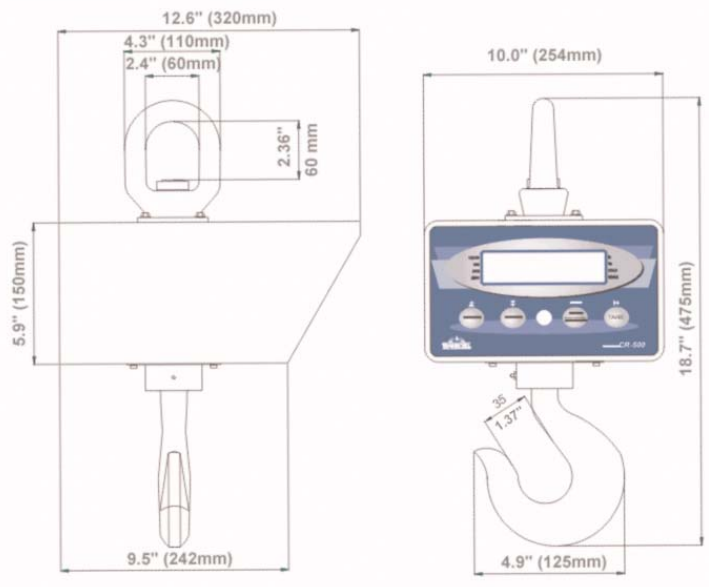
**Recharging Time:** One Hour

**Operational Battery Time:** Continuous up to 8 hours

**Operating Temperature:** -10°C to +40°C (14°F to 104°F)

**Warranty:** 1 year limited warranty applies

*Standard accessories include infrared remote control, two batteries and charger*



#### CAPACITIES

Auto Range

0 lbs - 2000 lbs x 1 lb

2002 lbs - 5000 lbs x 2 lb

**YOUR AUTHORIZED TRANSCELL DEALER IS:**

  
**TRANSCELL TECHNOLOGY, INC.**

975 Deerfield Pkwy, Buffalo Grove, IL 60089

Tel (847) 419-9180 Fax (847) 419-1515

**(800) 503-9180**

www.transcell.net